

**S U P P L E M E N T**



**Chrysler Service Parts**

for

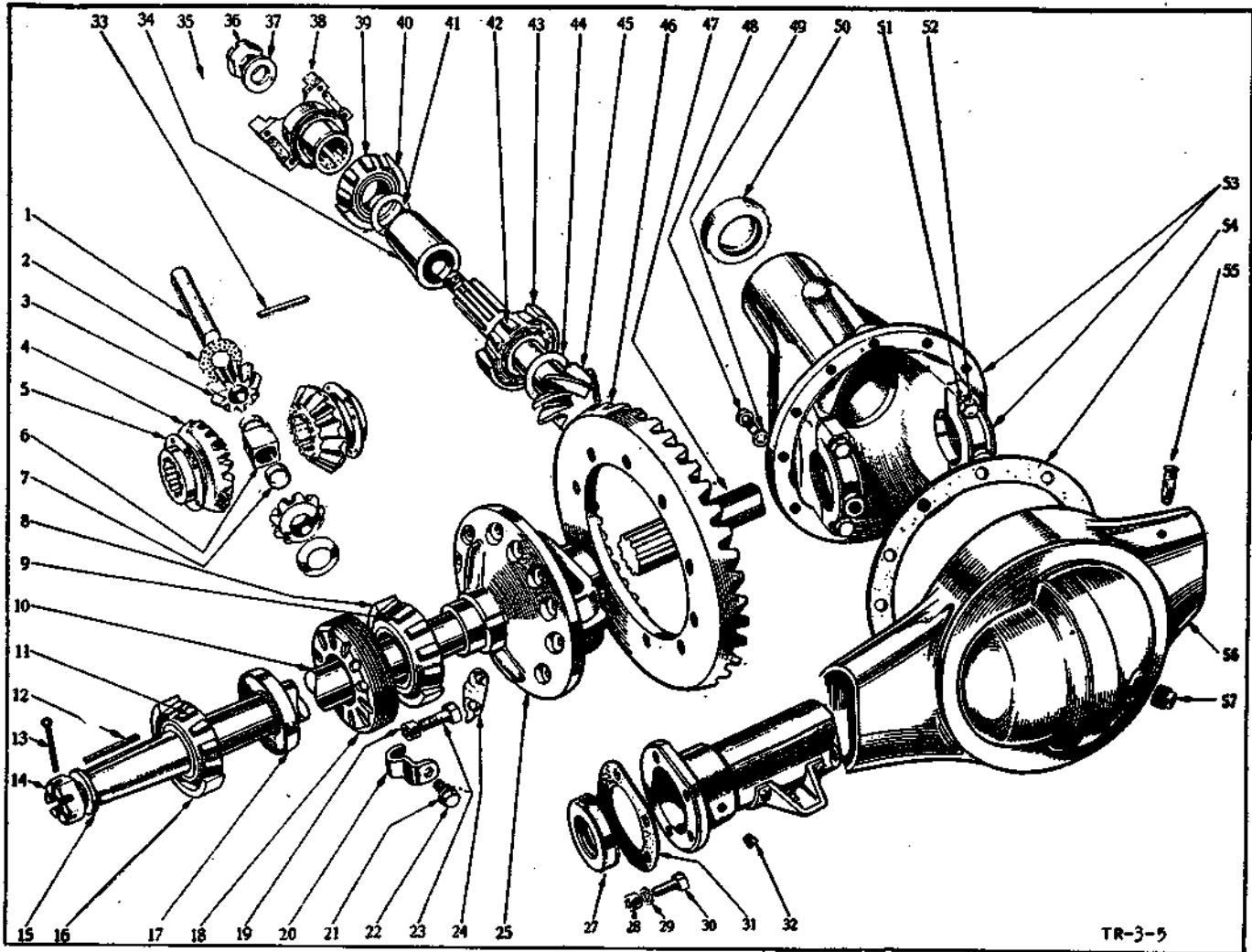
**BOMBARDIER  
SNOWMOBILE**



No 1 — A. N. B.

# CHRYSLER SERVICE PARTS FOR BOMBARDIER SNOWMOBILE

## REAR AXLE

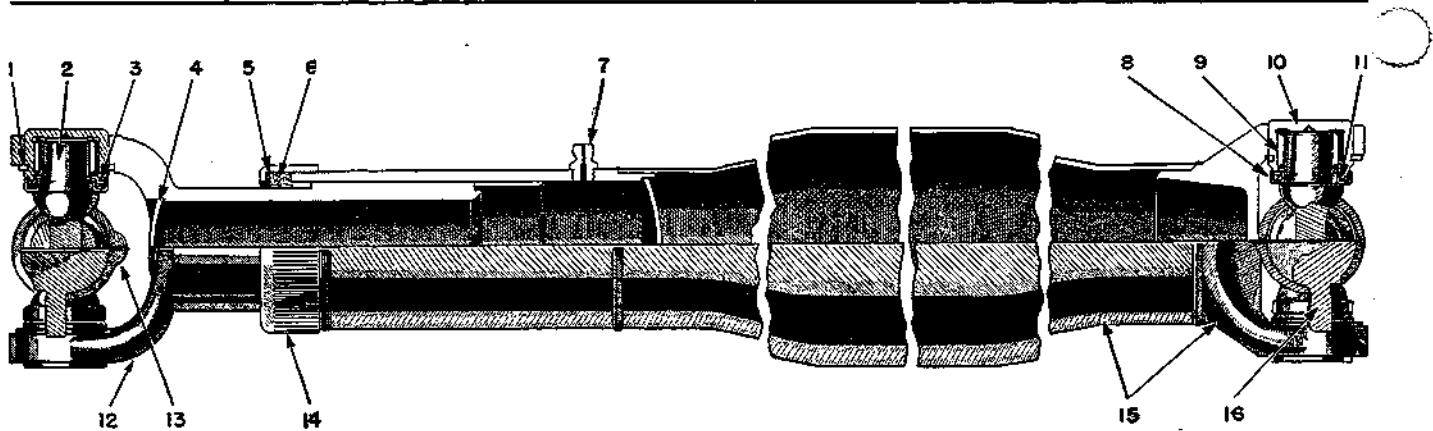


TR-3-5

| Ref. No. | PART NAME   |
|----------|---|
| 1        | Differential pinion shaft.  |
| 2        | Differential pinion thrust washer.  |
| 3        | Differential pinion.  |
| 4        | Differential side gear.   |
| 5        | Differential side gear thrust washer.   |
| 6        | Axle driveshaft thrust block.   |
| 7        | Axle driveshaft thrust block spacer.  |
| 8        | Differential bearing cup.   |
| 9        | Differential bearing cone and rollers.  |
| 10       | Axle driveshaft.  |
| 11       | Axle driveshaft bearing cone and rollers.   |
| 12       | Axle driveshaft key.  |
| 13       | Axle driveshaft nut cotter pin.   |
| 14       | Axle driveshaft nut.  |
| 15       | Axle driveshaft nut washer.   |
| 16       | Axle driveshaft bearing cup.  |
| 17       | Axle driveshaft oil seal assembly — inside.                                       |
| 18       | Differential bearing adjuster.  |
| 19       | Axle drive gear bolt nut.   |
| 20       | Differential bearing adjuster lock.   |
| 21       | Differential bearing adjuster lock screw lockwasher (serviced in screw assembly). |
| 22       | Differential bearing adjuster lock screw assembly.                                |
| 23       | Axle drive gear bolt.   |
| 24       | Axle drive gear bolt nut lock.  |
| 25       | Differential case.  |
| 26       | Axle driveshaft bearing oil seal (outside).                                       |
| 27       | Rear wheel brake support to axle housing bolt nut.                                |
| 28       | Rear wheel brake support to axle housing bolt nut lockwasher.                     |

| Ref. No. | PART NAME   |
|----------|---|
| 29       | Rear wheel brake support to axle housing bolt.    |
| 30       | Axle driveshaft bearing oil seal retainer gasket. |
| 31       | Axle driveshaft bearing shim.                     |
| 32       | Axle drive bearing oil hole plug.                 |
| 33       | Differential pinion shaft lock pin or screw.      |
| 34       | Axle drive pinion bearing spacer.                 |
| 35       | Axle drive pinion flange nut cotter pin.          |
| 36       | Axle drive pinion flange nut.                     |
| 37       | Axle drive pinion flange nut washer.              |
| 38       | Axle drive pinion flange.                         |
| 39       | Axle drive pinion front bearing cone and rollers. |
| 40       | Axle drive pinion front bearing cup.              |
| 41       | Axle drive pinion front bearing adjusting shims.  |
| 42       | Axle drive pinion rear bearing cone and rollers.  |
| 43       | Axle drive pinion rear bearing cup.               |
| 44       | Axle drive pinion rear bearing washer or shims.   |
| 45       | Axle drive pinion.                                |
| 46       | Axle drive gear.                                  |
| 47       | Axle driveshaft.                                  |
| 48       | Axle drive pinion carrier screw.                  |
| 49       | Axle drive pinion carrier screw lockwasher.       |
| 50       | Axle drive pinion bearing oil seal.               |
| 51       | Differential bearing cap screw lockwasher.        |
| 52       | Differential bearing cap screw.                   |
| 53       | Axle drive pinion carrier and cup assembly.       |
| 54       | Axle drive pinion carrier gasket.                 |
| 55       | Housing vent nipple.                              |
| 56       | Housing.  |
| 57       | Housing cover plug.                               |

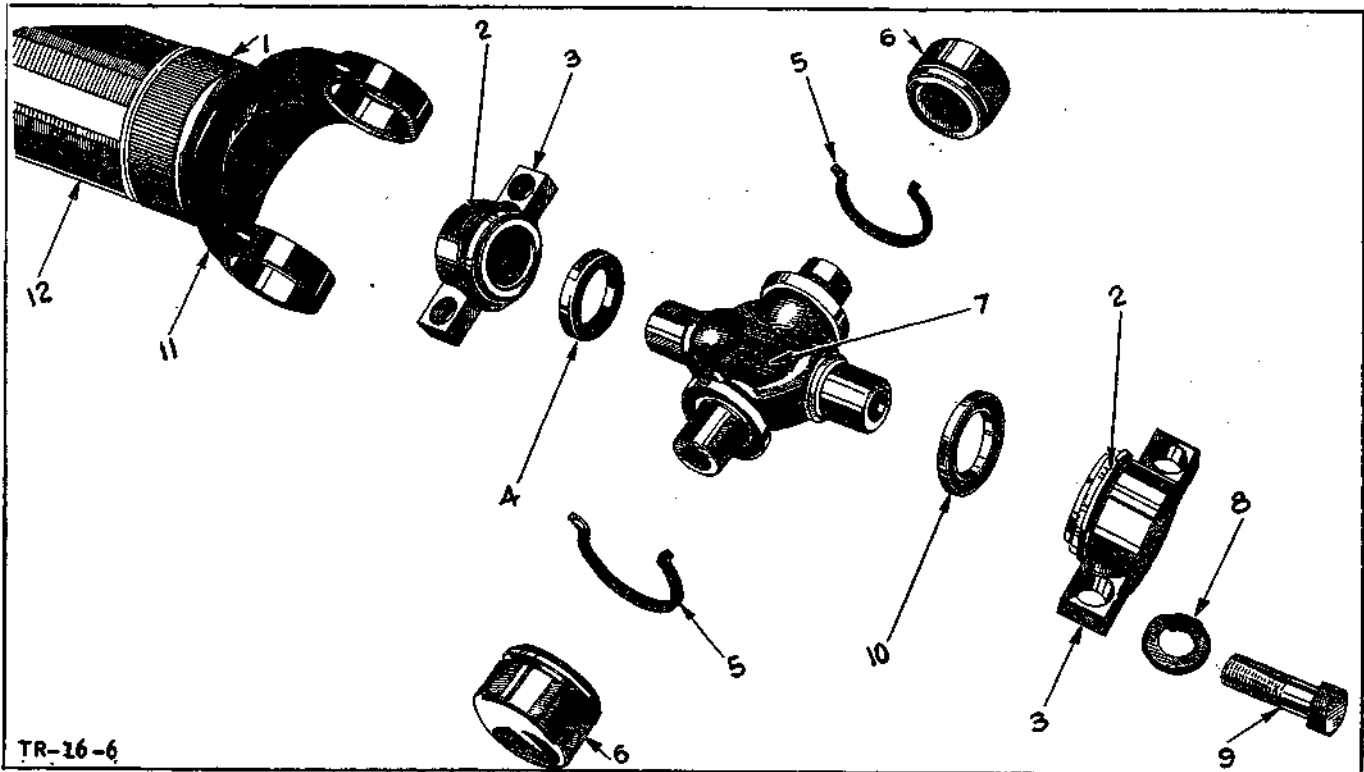
# CHRYSLER SERVICE PARTS FOR BOMBARDIER SNOWMOBILE



## PROPELLER SHAFT AND UNIVERSAL JOINT ASSEMBLY

| Ref. No. | PART NAME  |
|----------|--|
| 1        | Universal joint cross roller bushing retainer.                                       |
| 2        | Universal joint cross assembly.  |
| 3        | Universal joint cross roller retainer.<br>(serviced in roller and bushing assembly). |
| 4        | Universal joint spline yoke plug<br>(serviced in yoke assembly).                     |
| 5        | Universal joint spline yoke oil seal washer.   |
| 6        | Universal joint spline yoke oil seal.  |
| 7        | Universal joint spline yoke lubricant nipple.  |
| 8        | Universal joint cross roller dust seal retainer.                                     |
| 9        | Universal joint cross rollers (serviced in roller<br>and bushing assembly).          |
| 10       | Universal joint cross roller and bushing assembly.                                   |
| 11       | Universal joint cross roller dust seal.  |
| 12       | Universal joint spline yoke and plug assembly.                                       |
| 13       | Universal joint cross roller bearing block retainer.                                 |
| 14       | Universal joint spline yoke oil seal cap.  |
| 15       | Propeller shaft.   |
| 16       | Universal joint cross roller and bearing block assembly.                             |

# CHRYSLER SERVICE PARTS FOR BOMBARDIER SNOWMOBILE

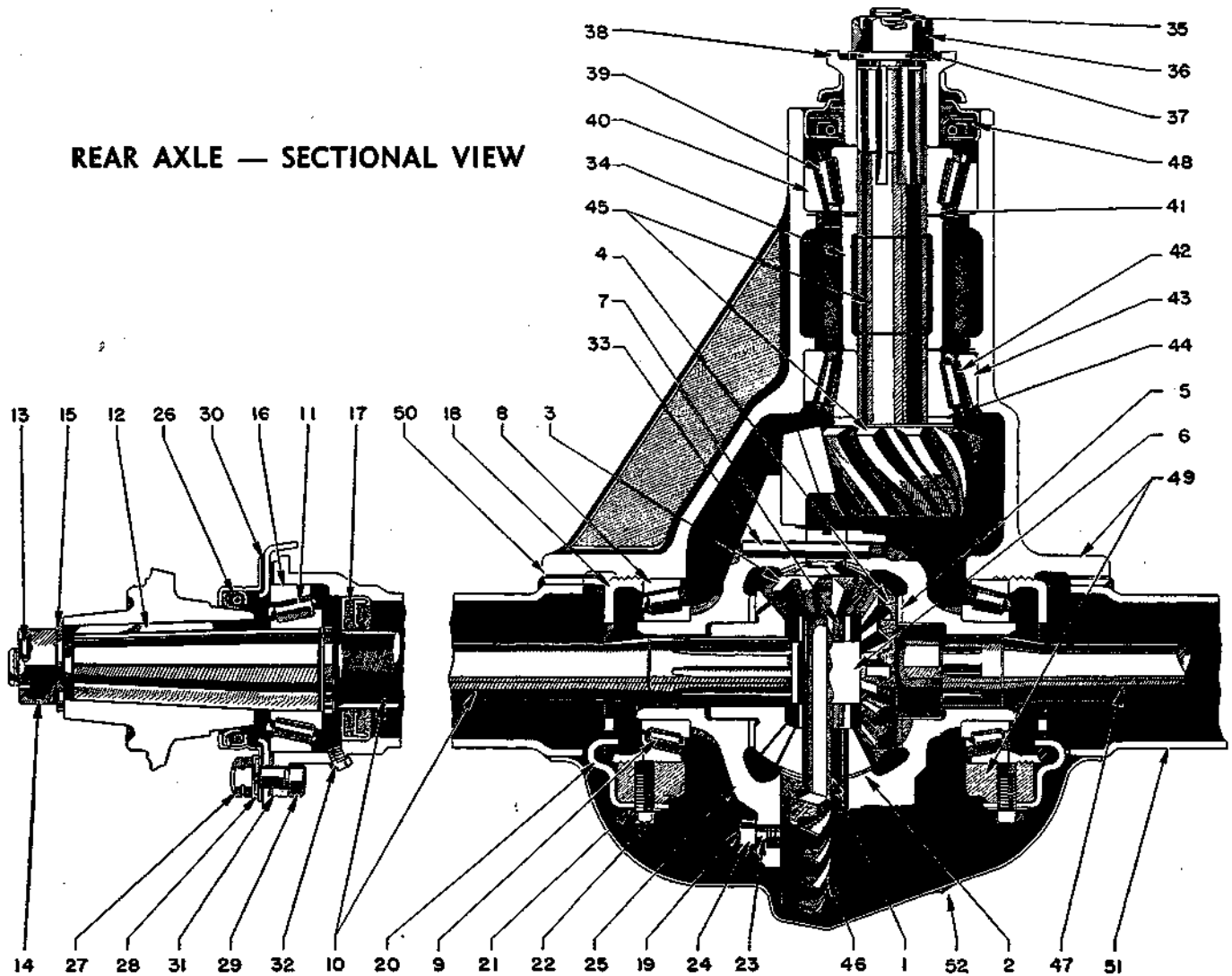


TR-16-6

| Ref.<br>No. | PART NAME                     |
|-------------|-------------------------------|
| 1           | Sliding yoke cap.             |
| 2           | Roller and bearing block ret. |
| 3           | Roller and bearing block.     |
| 4           | Cross dust seal.              |
| 5           | Roller and bushing retainer.  |
| 6           | Roller and bushing.           |
| 7           | Cross assembly.               |
| 8           | Flange bolt lockwasher.       |
| 9           | Flange bolt.                  |
| 10          | Dust seal retainer.           |
| 11          | Sliding yoke.                 |
| 12          | Propeller shaft.              |

# CHRYSLER SERVICE PARTS FOR BOMBARDIER SNOWMOBILE

## REAR AXLE — SECTIONAL VIEW



Ref.  
No.

PART NAME

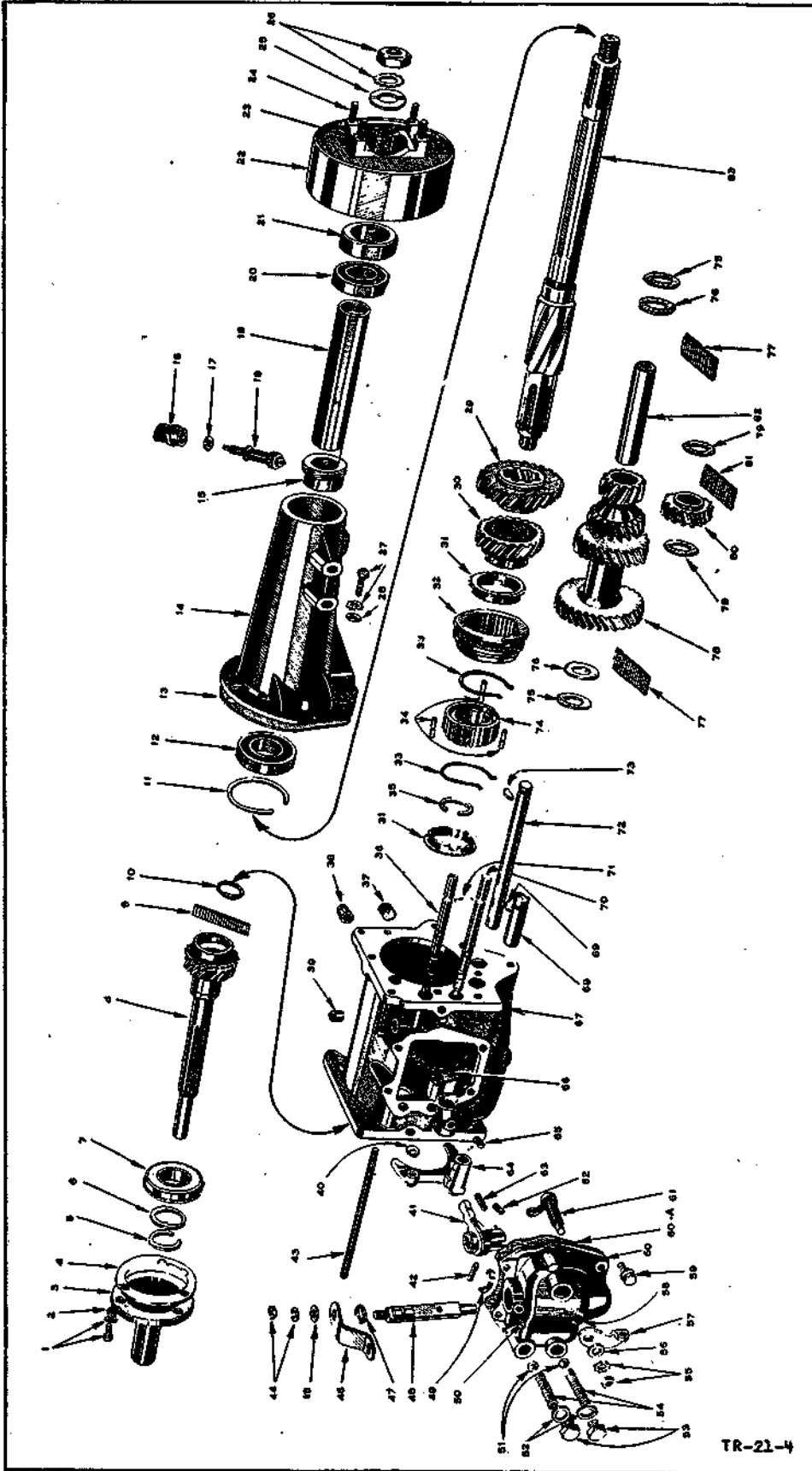
- 1 Differential pinion shaft.
- 2 Differential pinion thrust washer.
- 3 Differential pinion.
- 4 Differential side gear.
- 5 Differential side gear thrust washer.
- 6 Axle driveshaft thrust block.
- 7 Axle driveshaft thrust block spacer.
- 8 Differential bearing cup.
- 9 Differential bearing cone and rollers.
- 10 Axle driveshaft.
- 11 Axle driveshaft bearing cone and rollers.
- 12 Axle driveshaft key.
- 13 Axle driveshaft nut cotter pin.
- 14 Axle driveshaft nut.
- 15 Axle driveshaft nut washer.
- 16 Axle driveshaft bearing cup.
- 17 Axle driveshaft oil seal assembly — inside.
- 18 Differential bearing adjuster.
- 19 Axle drive gear bolt nut.
- 20 Differential bearing adjuster lock.
- 21 Differential bearing adjuster lockscrew lockwasher.
- 22 Differential bearing adjuster lockscrew assembly.
- 23 Axle drive gear bolt.
- 24 Axle drive gear bolt nut lock.
- 25 Differential case.
- 26 Axle driveshaft bearing oil seal — outside.

Ref.  
No.

PART NAME

- 27 Rear wheel brake support to axle housing bolt nut.
- 28 Rear wheel brake support to axle housing bolt nut lockwasher.
- 29 Rear wheel brake support to axle housing bolt.
- 30 Axle driveshaft bearing oil seal retainer gasket.
- 31 Axle driveshaft bearing adjusting shim.
- 32 Axle drive bearing oil hole plug.
- 33 Differential pinion shaft lock pin or screw.
- 34 Axle drive pinion bearing spacer.
- 35 Axle drive pinion flange nut cotter pin.
- 36 Axle drive pinion flange nut.
- 37 Axle drive pinion flange nut washer.
- 38 Axle drive pinion flange.
- 39 Axle drive pinion front bearing cone and rollers.
- 40 Axle drive pinion front bearing cup.
- 41 Axle drive pinion front bearing adjusting shims.
- 42 Axle drive pinion rear bearing cone and rollers.
- 43 Axle drive pinion rear bearing cup.
- 44 Axle drive pinion rear bearing washer or shims.
- 45 Axle drive pinion.
- 46 Axle drive gear.
- 47 Axle driveshaft.
- 48 Axle drive pinion bearing oil seal.
- 49 Axle drive pinion carrier and cup assembly.
- 50 Axle drive pinion carrier gasket.
- 51 Housing.
- 52 Housing cover plug.

# CHRYSLER SERVICE PARTS FOR BOMBARDIER SNOWMOBILE

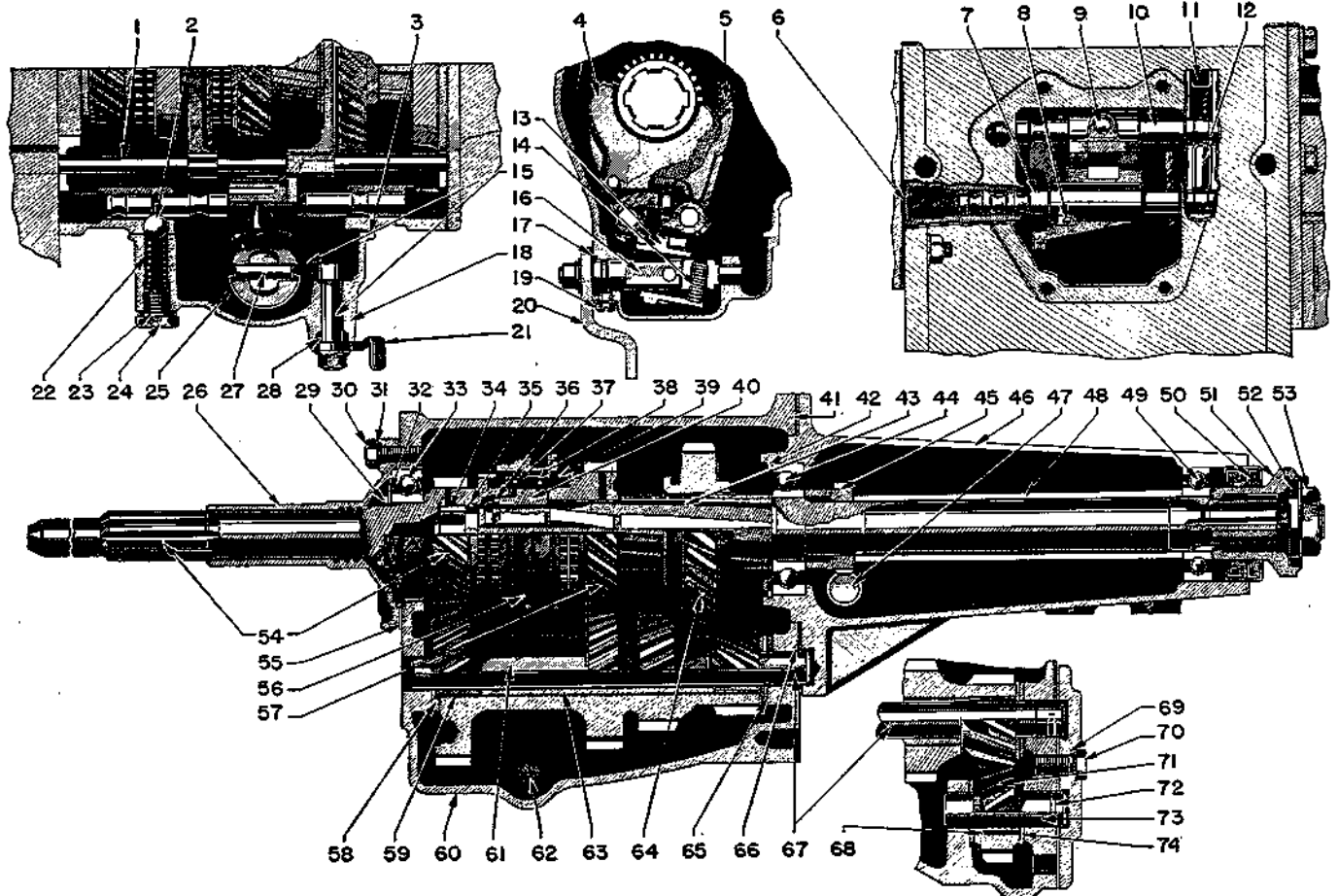


TR-21-4

## STANDARD TRANSMISSION (Continued)

| Ref. No. | PART NAME                          | Ref. No. | PART NAME                                     | Ref. No. | PART NAME                                      |
|----------|------------------------------------|----------|---|----------|--|
| 1        | Pinion bearing retainer screw.     | 36       | Gear shift rail — low and reverse.            | 68       | Gearshift fork — low and reverse.              |
| 2        | Retainer screw grommet.            | 37       | Transmission filter plug.                     | 67       | Transmission case.                             |
| 3        | Pinion bearing retainer.           | 38       | Transmission drain plug.                      | 66       | Reverse idler gear shaft.                      |
| 4        | Retainer gasket.                   | 39       | Gearshift rail (fabric) plug.                 | 65       | Idler gear shaft key.                          |
| 5        | Pinion bearing snap ring.          | 40       | Gearshift rail plug.                          | 70       | Gearshift rail second and direct.              |
| 6        | Pinion bearing washer.             | 41       | Gearshift lever — rail shifter.               | 71       | Gearshift rail interlock.                      |
| 7        | Drive pinion bearing.              | 42       | Gearshift fork pin.                           | 72       | Countershaft.                                  |
| 8        | Drive pinion.                      | 43       | Gearshift fork guide rail.                    | 73       | Countershaft key.                              |
| 9        | Mainshaft pilot bearing rollers.   | 44       | Gearshift operating lever nut and lockwasher. | 74       | Clutch gear — sliding.                         |
| 10       | Mainshaft pilot bearing snap ring. | 45       | Gearshift operating lever nut plainwasher.    | 75       | Countershaft gear thrust washer — slide.       |
| 11       | Mainshaft rear bearing snap ring.  | 46       | Gearshift operating lever nut.                | 76       | Countershaft gear thrust washer plate — steel. |
| 12       | Mainshaft rear bearing.            | 47       | Gearshift operating lever.                    | 77       | Countershaft bearing roller.                   |
| 13       | Case extension gasket.             | 48       | Gearshift housing seal — Gearshift lever.     | 78       | Countershaft gear.                             |
| 14       | Case extension.                    | 49       | Gearshift lever shaft — rail shifter.         | 79       | Reverse idler gear washer.                     |
| 15       | Speedometer drive gear.            | 50       | Gearshift lever pin lock spring.              | 80       | Reverse idler gear.                            |
| 16       | Speedometer pinion sleeve.         | 51       | Gearshift shaft lock screw.                   | 81       | Idler gear bearing roller.                     |
| 17       | Speedometer pinion oil seal.       | 52       | Gearshift selector ball.                      | 82       | Countershaft bearing spacer.                   |
| 18       | Speedometer drive pinion.          | 53       | Gearshift selector ball spring.               | 83       | Transmission mainshaft.                        |
| 19       | Mainshaft bearing spacer.          | 54       | Gearshift selector ball screw.                |          |  |
|          |                                    | 55       | Gearshift selector lever nut and lockwasher.  |          |  |
|          |                                    | 56       | Selector lever nut plainwasher.               |          |  |
|          |                                    | 57       | Selector lever nut plainwasher.               |          |  |
|          |                                    | 58       | Selector shaft seal — oam.                    |          |  |
|          |                                    | 59       | Gearshift housing stud.                       |          |  |
|          |                                    | 60       | Gearshift housing gasket.                     |          |  |
|          |                                    | 60A      | Gearshift housing.                            |          |  |
|          |                                    | 61       | Selector cam and shaft assembly.              |          |  |
|          |                                    | 62       | Gearshift fork lock screw.                    |          |  |
|          |                                    | 63       | Gearshift lever return spring.                |          |  |
|          |                                    | 64       | Gearshift fork — second and direct.           |          |  |
|          |                                    | 65       | Gearshift selector ball.                      |          |  |

# CHRYSLER SERVICE PARTS FOR BOMBARDIER SNOWMOBILE



TRANSMISSION — SECTIONAL VIEW

| Ref. No. | PART NAME   |
|----------|---|
| 1        | Gearshift fork guide rail.                          |
| 2        | Gearshift selector ball.                            |
| 3        | Gearshift housing gasket.                           |
| 4        | Gearshift fork — first and reverse.                 |
| 5        | Gearshift fork — second and direct.                 |
| 6        | Gearshift rail plug.                                |
| 7        | Gearshift rail — second and direct.                 |
| 8        | Gearshift fork lock screw.                          |
| 9        | Gearshift fork lock screw.                          |
| 10       | Gearshift rail — first and reverse.                 |
| 11       | Gearshift rail interlock plug.                      |
| 12       | Gearshift rail interlock.                           |
| 13       | Gearshift lever.                                    |
| 14       | Gearshift lever return spring.                      |
| 15       | Gearshift selector cam and shaft.                   |
| 16       | Gearshift lever shaft.                              |
| 17       | Gearshift housing seal.                             |
| 18       | Gearshift housing.                                  |
| 19       | Gearshift lever shaft screw and lockwasher.         |
| 20       | Gearshift operating lever.                          |
| 21       | Gearshift selector lever.                           |
| 22       | Gearshift selector ball spring.                     |
| 23       | Gearshift selector ball spring screw washer.        |
| 24       | Gearshift selector ball spring screw.               |
| 25       | Gearshift lever pin lock spring.                    |
| 26       | Drive pinion bearing retainer.                      |
| 27       | Gearshift lever pin.                                |
| 28       | Camshaft selector cam shaft seal.                   |
| 29       | Drive pinion bearing snap ring.                     |
| 30       | Drive pinion bearing retainer screw and lockwasher. |
| 31       | Drive pinion bearing retainer screw grommet.        |
| 32       | Drive pinion bearing washer.                        |
| 33       | Drive pinion bearing.                               |
| 34       | Main shaft pilot bearing rollers.                   |
| 35       | Main shaft pilot bearing snap ring.                 |
| 36       | Clutch gear snap ring.                              |
| 37       | Synchronizer spring.                                |

| Ref. No. | PART NAME                             |
|----------|---------------------------------------|
| 38       | Synchronizer shifting plate.          |
| 39       | Synchronizer stop ring.               |
| 40       | Clutch gear.                          |
| 41       | Extension gasket.                     |
| 42       | Main shaft rear bearing snap ring.    |
| 43       | Main shaft.                           |
| 44       | Main shaft rear bearing.              |
| 45       | Speedometer drive gear.               |
| 46       | Extension.                            |
| 47       | Speedometer drive pinion.             |
| 48       | Main shaft bearing spacer.            |
| 49       | Extension bearing.                    |
| 50       | Main shaft rear bearing oil seal.     |
| 51       | Main shaft flange.                    |
| 52       | Main shaft flange washer.             |
| 53       | Main shaft flange nut and lockwasher. |
| 54       | Drive pinion.                         |
| 55       | Drive pinion bearing retainer gasket. |
| 56       | Clutch gear sleeve.                   |
| 57       | Second speed gear.                    |
| 58       | Countershaft thrust washer plate.     |
| 59       | Countershaft bearing rollers.         |
| 60       | Case.                                 |
| 61       | Countershaft gears.                   |
| 62       | Drain plug.                           |
| 63       | Countershaft bearing spacer.          |
| 64       | Sliding gear — first and reverse.     |
| 65       | Countershaft thrust washer.           |
| 66       | Countershaft key.                     |
| 67       | Countershaft.                         |
| 68       | Reverse idler gear bearing rollers.   |
| 69       | Extension screw grommet.              |
| 70       | Extension screw and lockwasher.       |
| 71       | Reverse idler gear.                   |
| 72       | Reverse idler shaft key.              |
| 73       | Reverse idler shaft.                  |
| 74       | Reverse idler gear washer.            |

Parts marked with # were used (Up to Jobs) Serial having Prefix 8B-000

Parts marked with ## were used (After Jobs) " " " 8B-000

Parts marked with ### were used (After Jobs) " " " 7B-000

| <u>Part name.</u>  | <u>Part No.</u><br>## | <u>Part No.</u><br># | <u>Part No.</u><br>### | <u>Quantity.</u> |
|--|-----------------------|----------------------|------------------------|------------------|
| Rear Axle Housing Drain Plug 1 /8".                                | 103865                | 666853               |                        | 1                |
| Rear Axle Housing Drain Plug 3/8".                                 | 143998                | 666853               |                        | 1                |
| Rear Axle Hsg. Serrated Bolt Short.                                | 1135197               | 60443                |                        | 7                |
| Rear Axle Hsg, Serrated Bolt Long.                                 | 1135196               | 676290               |                        | 4                |
| Rear Axle Hsg. Serrated Bolt Nut.                                  | 189381                | not used             |                        | 11               |
| Rear Axle Hsg. Serrated Bolt Nut.<br>Washer.                       | 1116246               | " "                  |                        | 11               |
| Rear Axle Diff. & Carrier Ass'y.                                   | 1125147               | 663442               |                        | 1                |
| Rear Axle Drive Pinion Carrier &<br>Cap Ass'y.                     | 1127041               | 663472               |                        | 1                |
| Rear Axle Drive Pinion Carrier<br>Filler plug 3/4".                | 103869                | not used             |                        | 1                |
| Rear Axle Drive Pinion Carrier<br>Gasket.                          | 1121939               | 952552               |                        | 1                |
| Rear Axle Drive Pinion Flange,<br>(includes bear. oil seal guard.) | 1122646               | 853564               |                        | 1                |
| Rear Axle Drive Pinion Flange nut.                                 | 853562                | 53553                |                        | 1                |
| Hand Brake Drum (less flange.)<br>(After Serial Ind T-120 3165-G)  |                       | 853462               | 1122386                | 1                |

---



# CHRYSLER SERVICE PARTS FOR BOMBARDIER SNOWMOBILE

| PART NAME                                   | Part No. | Quantity | PART NAME                                     | Part No. | Quantity |
|---|----------|----------|---|----------|----------|
| Rear Axle Housing Assembly                  | 865882   | 1        | Clutch Housing                                | 870131   | 1        |
| Rear Axle Housing Vent nipple Assy.         | 855384   | 1        | Clutch Housing Screw                          | 122138   | 2        |
| Rear Axle Housing Vent Nipple Lockwasher    | 136857   | 1        | Clutch Housing Screw                          | 122273   | 2        |
| Rear Axle Housing Cover Plug                | 666853   | 1        | Clutch Housing Screw                          | 122145   | 2        |
| Differential and Carrier Assy.              | 663442   | 1        | Clutch Housing Lockwasher (Small)             | 131099   | 4        |
| Rear Axle Drive Pinion Carrier and Cap Ass. | 663472   | 1        | Clutch Housing Lockwasher (Large)             | J20383   | 2        |
| Rear Axle Drive Pinion Carrier Gasket       | 952552   | 1        | Clutch Housing Brackets — left                | 859763   | 1        |
| Rear Axle Drive Pinion Carrier Screw        | 50443    | 7        | Clutch Housing Brackets — right               | 859764   | 1        |
| Rear Axle Drive Pinion Carrier Lockwasher   | 676290   | 4        | Clutch Housing Brackets Reinforcement Ltd.    | 859765   | 2        |
| Rear Axle Drive Pinion Carrier Lockwasher   | 131099   | *        | Clutch Housing Brackets Screw (to Clutch Hsg) | 122017   | 3        |
| (bearing cap)                               | 314548   | 4        | Clutch Housing Brackets Lockwasher            | 120214   | 3        |
| Rear Axle Drive Pinion Carrier Lockwasher   | 118975   | 4        | Clutch Housing Brackets Screw (to Cyl. Blk)   | 122126   | 4        |
| Differential Case                           | 663476   | 1        | Clutch Housing Brackets Lockwasher            | 120382   | 4        |
| Differential Side Gear                      | 663477   | 2        | Clutch Housing Ventilator and Hole Screen     |          |          |
| Differential Side Gear Thrust Washer        | 632587   | 2        | Assy.   | 864217   | 1        |
| Differential Pinion                         | 663478   | 2        | Clutch Housing Ventilator Hole Screen         | 695445   | 4        |
| Differential Pinion Thrust Washer           | 663479   | 2        | Clutch Housing Ventilator and Hole Screen     |          |          |
| Differential Pinion Shaft                   | 663486   | 1        | Screw   | 120228   | 1        |
| Differential Pinion Shaft Lock Pin          | 141210   | 1        | Clutch Housing Ventilator and Hole Screen     |          |          |
| Differential Bearing Cup                    | 698403   | 2        | Plainwasher                                   | 120383   | 1        |
| Differential Bearing Cone                   | 698404   | 2        | Clutch Housing Ventilator and Hole Screen     |          |          |
| Differential Bearing Adjuster               | 601864   | 2        | Lockwasher                                    | 120214   | 1        |
| Differential Bearing Lock (adjuster)        | 308247   | 2        | Clutch Housing Pan Assembly                   | 859768   | 1        |
| Differential Bearing Screw (lock)           | 122017   | 2        | Clutch Housing Pan Screw                      | 120228   | 6        |
| Differential Bearing Washer                 | 120214   | 2        | Clutch Housing Pan Lockwasher                 | 120638   | *        |
| Drive Gear Pinion Matched Set               | 664392   | 1        | Clutch Disc Assembly (Std.)                   | 917166   | 1        |
| Drive Gear                                  | 663445   | 1        | Clutch Cover and Pressure Plate Assy.         | 857766   | 1        |
| Drive Gear Pinion                           | 663446   | 1        | Clutch Pressure Plate Cover                   | 855518   | 1        |
| Drive Gear Pinion Bolt                      | 863481   | 10       | Clutch Pressure Plate Cover Screw             | 314926   | 6        |
| Drive Gear Pinion Nut                       | 120369   | 10       | Clutch Pressure Plate Cover Screw L/W         | 120382   | 6        |
| Drive Gear Pinion Lock                      | 663482   | 5        | Clutch Cover Pressure Plate                   | 855519   | 1        |
| Drive Pinion Flange Assy.                   |          |          | Baffle  | 863888   | 1        |
| (includes bearing oil seal guard)           | 863564   | 1        | Spring  | 855521   | 9        |
| Drive Pinion Flange Nut                     | 53553    | 1        | Driving Lug Grease Pad                        | 864851   | 3        |
| Drive Pinion Flange Washer                  | 308466   | 1        | Clutch Release Lever                          | 684387   | 3        |
| Drive Pinion Flange Cotter                  | 119209   | 1        | Pin (std. and 10" Clutch)                     | 619463   | 3        |
| Drive Pinion Bearing Cup                    | 698413   | 1        | Spring (std. and 10" Clutch)                  | 622915   | 3        |
| Drive Pinion Bearing Cone and Rollers       | 698414   | 1        | Strut (std. and 10" Clutch)                   | 619466   | 3        |
| Drive Pinion Bearing Adjusting Shims        | 688739   | *        | Eye Bolt and Nut Assembly (10" Clutch)        | 620894   | 3        |
| Drive Pinion Bearing Adjusting Shims        | 303856   | *        | Nut (10" Clutch)                              | 314293   | 3        |
| Drive Pinion Bearing Adjusting Shims        | 303857   | *        | Clutch Release Bearing Assembly               |          |          |
| Drive Pinion Bearing Adjusting Shims        | 688741   | *        | (bearing & Sleeve)                            | 862859   | 1        |
| Drive Pinion Bearing Cup                    | 698413   | 1        | Assembly (bearing)                            | 658998   | 1        |
| Drive Pinion Bearing Cone and Rollers       | 698415   | 1        | Pull back Spring                              | 671915   | 2        |
| Drive Pinion Bearing Washer                 | 665237   | 1        | Clutch Release Fork Assembly                  | 863916   | 1        |
| Drive Pinion Bearing Washer                 | 670109   | 1        | Pivot   | 633238   | 1        |
| Drive Pinion Bearing Washer                 | 670110   | 1        | Screw   | 178823   | 1        |
| Drive Pinion Bearing Washer                 | 670111   | 1        | Lockwasher                                    | 138617   | 1        |
| Drive Pinion Bearing Oil Seal Assy.         | 663602   | 1        | Horn Control Assembly (PI45)                  | 955148   | 1        |
| Drive Pinion Bearing Washer                 | 663604   | 1        | Spring and base assembly                      | 681402   | 1        |
| Rear Axle Drive Shaft Key                   | 41110    | 2        | Retainer                                      | 862975   | 1        |
| Rear Axle Drive Shaft Nut                   | 53553    | 2        | Screw   | 132133   | 3        |
| Rear Axle Drive Shaft Washer                | 50652    | 2        | Lockwasher                                    | 121801   | 3        |
| Rear Axle Drive Shaft Cotter                | 103399   | 2        | Contact Cup                                   | 854918   | 1        |
| Rear Axle Drive Shaft Bearing Cup           | 698399   | 2        | Horn Cable Contact (with button)              | 611897   | 1        |
| Rear Axle Drive Shaft Bearing Cone & Roller | 698400   | 2        | Engine Rear Support Insulator Assy.           |          |          |
| Rear Axle Drive Shaft Oil Hole Plug         | 697323   | 2        | (includes bolts) Upper                        | 694164   | 2        |
| Rear Axle Drive Shaft Adjusting Shims       | 681319   | 2        | Bolt  | 125683   | 2        |
| Rear Axle Drive Shaft Adjusting Shims       | 681320   | 2        | Nut   | 120370   | 2        |
| Rear Axle Drive Shaft Adjusting Shims       | 681321   | 2        | Washer  | 120383   | 2        |
| Rear Axle Drive Shaft Adjusting Shims       | 681322   | 2        | Spacer Assy.                                  | 685540   | 2        |
| Rear Axle Drive Shaft Oil Seal Assy.        | 651678   | 2        | Throttle Cont. B/C Lever Stud                 | 602071   | 1        |
| Rear Axle Drive Shaft Oil Seal Assy.        |          |          | P/W   | 120387   | 1        |
| Package (outside)                           | 891437   | 2        | L/W   | 103320   | 1        |
| Rear Axle Drive Shaft Gasket                | 952557   | 2        | Spg. Washer                                   | 391888   | 1        |
| Rear Axle Drive Shaft Thrust Block          | 851402   | 1        | Bell Crank                                    | 640407   | 1        |
| Rear Axle Drive Shaft Spacer                | 663607   | 2        | B/C Rod                                       | 919981   | 1        |
| Hand Brake Drum (less flange)               | 853462   | 1        | Bracket Assy.                                 | 866720   | 1        |

\* — Indicates amount used as required.

# CHRYSLER SERVICE PARTS FOR BOMBARDIER SNOWMOBILE

| PART NAME  | Part No. | Quantity | PART NAME  | Part No. | Quantity |
|--|----------|----------|--|----------|----------|
| Propeller Shaft  | 864155   | 1        | Transmission Reverse Idler Gear                            | 853887   | 1        |
| Nut  | 53653    | 1        | Bearing Rollers  | 666927   | 22       |
| Washer   | 368468   | 1        | Washer   | 666924   | 2        |
| Cotter   | 108641   | 1        | Pinion and bearing transmission main drive                 |          |          |
| U. J. Cross Assembly (includes dust seal and Retainer)   | 857997   | 2        | pinion   | 853864   | 1        |
| Dust Seal ((Cross Roller)  | 857999   | 8        | Bearing  | 619167   | 1        |
| Retainer (Dust Seal)   | 858000   | 8        | Bearing (heavy duty)                                       | 856455   | 1        |
| U. J. Bearing Block Assembly (includes brg. block retainer, rollers & Roller Retainer)             | 858002   | 4        | Retainer   | 679945   | 1        |
| Retainer (bearing block)   | 858007   | 4        | Screw Assembly   | 869018   | 3        |
| U. J. Roller & Bushing Assy. (incl. rollers and bushing)   | 858001   | 4        | Grommet  | 679946   | 3        |
| Retainer (roller bushing)  | 858006   | 4        | Washer   | 631877   | 1        |
| U. J. Spline Yoke Assy. (incl. Plug)   | 857994   | 1        | Pilot bushing (in end of Crankshaft)                       | 53298    | 1        |
| Oil Seal (Spline)  | 858010   | 1        | Transmission Main Drive Pinion Bearing                     |          |          |
| Washer (oil seal)  | 858011   | 1        | Retainer Gasket (.010")                                    | 601130   | *        |
| Cap (oil seal)   | 858012   | 1        | Gasket (.015")   | 601131   | *        |
| Relief Valve (for cross & roller type)   | 106671   | 1        | Gasket (.020")   | 605809   | *        |
| U. J. Repair Package (cross and roller type)   | 947559   | 1        | Transmission Main Drive Pinion Snap Ring                   |          |          |
| Propeller Shaft Attaching Bolts  | 859821   | 4        | Snap Ring .088"  | 631823   | *        |
| Nut  | 143416   | 4        | Snap Ring .092"  | 631824   | *        |
| Lockwasher   | 120638   | 4        | Snap Ring .095"  | 640332   | *        |
| Bolt   | 853156   | 4        | Transmission Mainshaft                                     | 853488   | 1        |
| Nut  | 143416   | 4        | Bearing (roller) (Front)                                   | 602007   | 14       |
| Lockwasher   | 120638   | 4        | Snap Ring  | 601108   | 1        |
| Steering Wheel   | 871161   | 1        | Bearing Assembly (rear)                                    | 619166   | 1        |
| Transmission Assembly — partial (less hand brake, flange, oil seal & gearshift housing (or cover)) | 953408   | 1        | Mainshaft Rear Bearing Snap Ring — thin                    | 640280   | *        |
| Transmission Case Assembly   | 853853   | 1        | Snap Ring — medium   | 631809   | *        |
| Screw (to Clutch Housing)  | 122267   | 4        | Snap Ring — thick  | 631810   | *        |
| Lockwasher   | 136857   | 4        | Snap Ring — extra thick                                    | 640331   | *        |
| Gasket (to Clutch Housing)   | 697824   | 1        | Oil Seal Assy.   | 670752   | 1        |
| Oil Trough   | 863862   | 1        | Flange   | 863459   | 1        |
| Drain Plug   | 103667   | 1        | Nut  | 684749   | 1        |
| Filler Plug  | 103888   | 1        | Washer (or lock plate)                                     | 684748   | 1        |
| Transmission Case Extension  | 853880   | 1        | Lockwasher   | 138506   | 1        |
| Gasket   | 853895   | 1        | Transmission Countershaft                                  | 852473   | 1        |
| Screw  | 122128   | 5        | Bearing Roller   | 666927   | 44       |
| Lockwasher   | 138489   | 6        | Spacer   | 697812   | 1        |
| Grommet  | 686828   | 2        | Key  | 103905   | 1        |
| Bearing  | 694770   | 1        | Transmission Reverse Idler Gear Shaft                      | 631869   | 1        |
| Transmission Gears   |          |          | Key  | 103905   | 1        |
| Matched Set  | 865173   | 1        | Transmission Remote Control Type Gearshift Housing         |          |          |
| Consists of:   |          |          | Gasket   | 853856   | 1        |
| Drive pinion   | 853864   | 1        | Seal   | 854801   | 1        |
| Second Speed Gear  | 852456   | 1        | Screw Assembly   | 869018   | 2        |
| Countershaft Gear (Cluster)  | 697823   | 1        | Screw — lower  | 353780   | 2        |
| Sliding Gear — low and reverse   | 853886   | 1        | Lockwasher (lower)   | 138485   | 2        |
| Reverse Idler Gear   | 853887   | 1        | Lever Shaft  | 863393   | 1        |
| Clutch Gear and Sleeve Assy.   | 856467   | 1        | Lever (rail shifter)                                       | 863387   | 1        |
| Synchronizer Stop Ring   | 853867   | 2        | Set Screw  | 853877   | 1        |
| Transmission Sliding Gears — Low and Reverse   | 853886   | 1        | Lockwasher   | 121753   | 1        |
| Transmission Second Speed Gear   | 852456   | 1        | Pin  | 865905   | 1        |
| Transmission Clutch Gear Assy.   | 856467   | 1        | Lock Spring  | 863390   | 1        |
| Gear (only)  | 853863   | 1        | Return Spring  | 863413   | 1        |
| Sleeve (only)  | 856464   | 1        | Operating Lever  | 860429   | 1        |
| Synchronizer Spreader Spring   | 856471   | 2        | Operating Lever (with power gearshift)                     | 953790   | 1        |
| Synchronizer Shifting Plate  | 856470   | 3        | Nut  | 120369   | 1        |
| Snap Ring — thin   | 631823   | *        | Lockwasher   | 120361   | 1        |
| Snap Ring — medium   | 631824   | *        | Plainwasher  | 120394   | 1        |
| Snap Ring — thick  | 631825   | *        | Selector Cam and Shaft Assy. (operates rail shifter lever) | 863389   | 1        |
| Snap Ring — extra thick  | 640332   | *        | Seal (cam)   | 852422   | 1        |
| Transmission Synchronizer Stop Ring  | 853867   | 2        | Ball (selector)  | 104921   | 2        |
| Transmission Countershaft Gears (Cluster)  | 697823   | 1        | Spring   | 652633   | 2        |
| Thrust Washer — thin   | 608804   | *        | Screw  | 856468   | 2        |
| Thrust Washer — medium   | 601127   | *        | Gasket or washer   | 627261   | 2        |
| Thrust Washer — thick  | 601128   | *        | Lever (on end of shaft)                                    | 952273   | 1        |
| Plate  | 601129   | 2        | Nut  | 120368   | 1        |

\* — indicates amount used as required.

Parts marked with # were used (up to Jobs) Serial having Prefix 7B-000  
 Parts marked with @ were used (after jobs) " " " 7B-000

| <u>Part Name</u>                       | <u>Part No.</u> | <u>Part No.</u> | <u>Quantity</u> |
|--|-----------------|-----------------|-----------------|
| Propeller Shaft                        | 1122674         | 864155          | 1               |
| Spline Yoke                            | 1122675         | 857894          | 1               |
| Spline Yoke Oil Seal                   | 604596          | 858010          | 1               |
| Spline Yoke Cap                        | 1122677         | 858012          | 1               |
| Propeller Shaft Flanges                |                 |                 |                 |
| Flange (Trans.End)                     | 1122385         | 857409          | 1               |
| Nut                                    | 525009          | 604749          | 1               |
| Flange (To Trans.Flange)               | 1122602         | not used        | 1               |
| Bolt                                   | 74664           | 859821          | 4               |
| Nut                                    | 120369          | 143416          | 4               |
| Lockwasher                             | 120382          | 120638          | 4               |
| Flange (Rear Axle End)                 | 1122649         | 353564          | 1               |
| Cotter                                 | 119209          | 108641          | 1               |
| "U" Bolt                               | 1122683         | not used        | 2               |
| Nut                                    | 120368          | 143416          | 4               |
| Lockwasher                             | 120214          | 120638          | 4               |
| Universal Joint Cross Ass'y.           | 1122678         | 857997          | 2               |
| Grease Fitting                         | 110347          | 106671          | 2               |
| Dust Seal                              | 604594          | 857999          | 3               |
| Retainer                               | 604595          | 358000          | 3               |
| Universal Joint Bushing & Roller Assy. | 1122680         | 858001          | 3               |
| Retainer                               | 604593          | 858006          | 3               |
| Universal Joint Repair Package         | 1150810         | 947550          | 8               |
| Consists of: 1 - 1122678 Cross ass'y.  |                 |                 |                 |
| 4 - 1122680 Bushing & Roller.          |                 |                 |                 |
| 4 - 604593 Retainer.                   |                 |                 |                 |

Parts marked with # were used (up to Serial Ind T120-3165)  
 Parts marked with @ were used (after Serial Ind T120-3165)

|  |         |        |   |
|--|---------|--------|---|
| Transmission Remote Control Type Gearshift Housing |         |        |   |
| Seal-Gearshift Lever- Rubber                       | 1139903 | 853872 | 1 |
| Screw  | 122017  | 869018 | 2 |
| Transmission Gearshift Lever                       |         |        |   |
| Lever(Rail Shifter)                                | 1117748 | 863387 | 1 |
| Transmission Gearshift Selector                    |         |        |   |
| Seal(Cam)  | 1127794 | 852422 | 1 |
| Transmission rail and Forks Seal<br>(Guide Rail)   | 1115577 | 853858 | 1 |

# CHRYSLER SERVICE PARTS FOR BOMBARDIER SNOWMOBILE

| PART NAME  | Part No. | Quantity |
|--|----------|----------|
| Washer   | 120393   | 1        |
| Lockwasher   | 138485   | 1        |
| Rail and Forks   |          |          |
| Rail — low and reverse                                   | 863857   | 1        |
| Rail — second and direct                                 | 862428   | 1        |
| Plug   | 103892   | 1        |
| Interlock (rail)   | 862431   | 1        |
| Plug   | 866892   | 1        |
| Fork — low and reverse                                   | 863388   | 1        |
| Fork — second and direct                                 | 863392   | 1        |
| Guide Rail   | 863858   | 1        |
| Lockscrew  | 862382   | 2        |
| Wheel Hub (only) (includes inner and outer bearing cups) |          |          |
| Rear (Rt.)   | 688700   | 2        |
| Bolt (wheel to hub) (right)                              | 393984   | 10       |